

# WIRE TO P.C.B. TYPE TERMINAL BLOCK

## ETB 57 SERIES



PITCH=10.0mm (0.394inch)

E133988(R)

### FEATURES

- Safety cover design for preventing electric shock hazard
- Easy to assemble for any number of positions
- End stackable without any loss of P.C.B. space
- Special wire protector design to ensure reliable wire clamping.
- UL 94V-0 grade fire retardant engineering plastic used for the housing
- Be capable of clamping a wide range of wire diameters
- Compact size for P.C.B.

### SPECIFICATIONS

- Pitch: 10mm(0.394inch)
- Wire range: 12AWG to 22AWG
- Rated: 20Amp, 300VAC
- Housing material:  
Polyamide 66 resin (UL 94V-0)
- Terminals: Tin plated over Brass
- Screws: Nickel plated over Steel
- Dielectric strength: 2000VAC (Min.)
- Insulation resistance: 1000M $\Omega$ , 500VDC



### PART NUMBERING SYSTEM

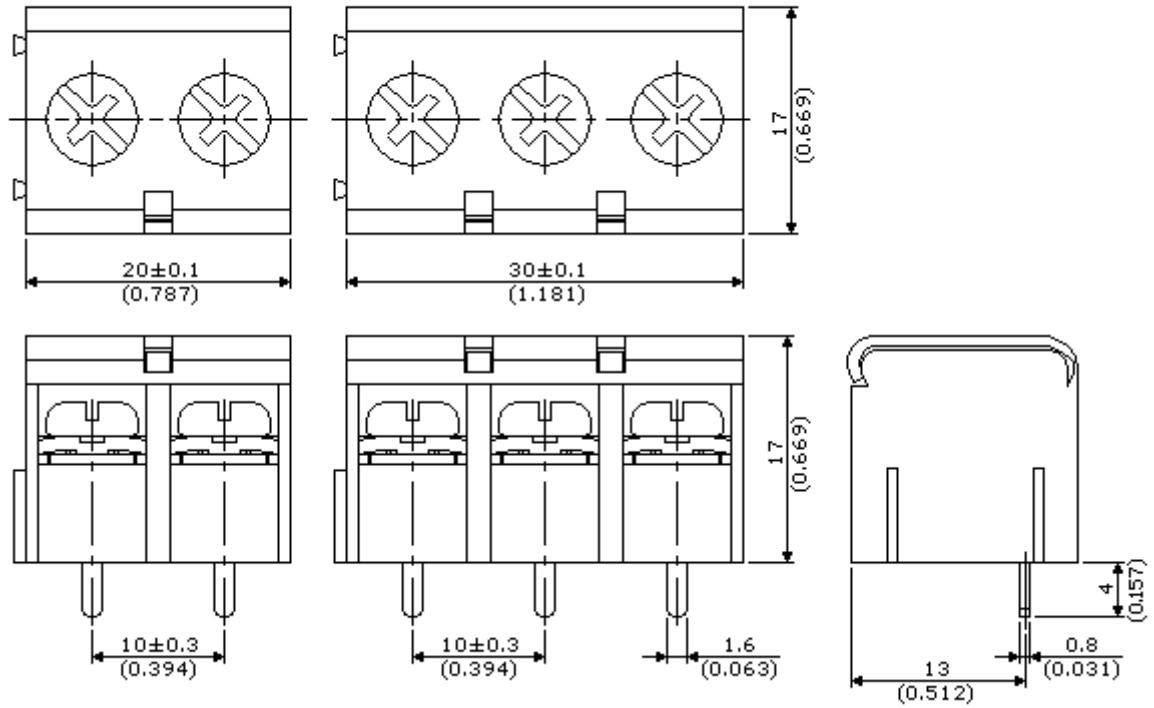
ETB	57	01	4	02	XX	Z	
							+--- Z:RoHS Compliant
							+--- Special number
							+--- Number of pole
							+--- Housing type
							3:Mount ends with cover type
							4:Dovetail with cover type
							+--- Terminal type
							+--- Series
							+--- Model

## DRAWING (DOVETAIL WITH COVER TYPE)

ETB57 SERIES UNIT:mm(inch)

ETB5701402

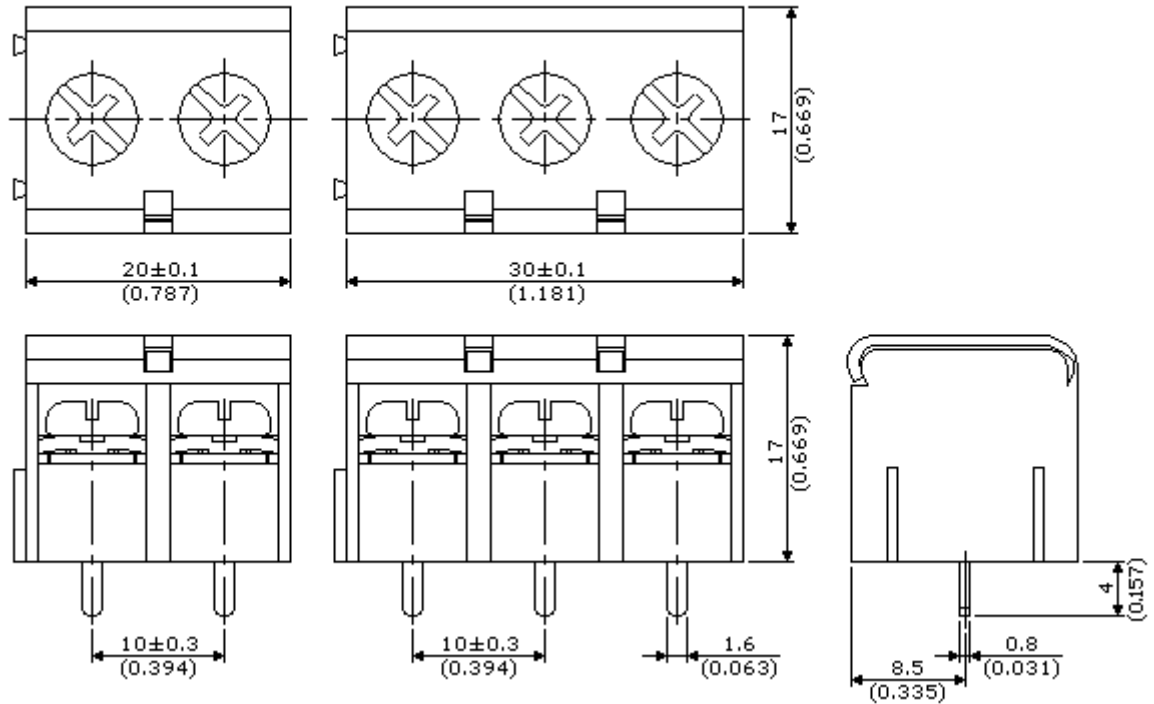
ETB5701403



ETB57 SERIES UNIT:mm(inch)

ETB5702402

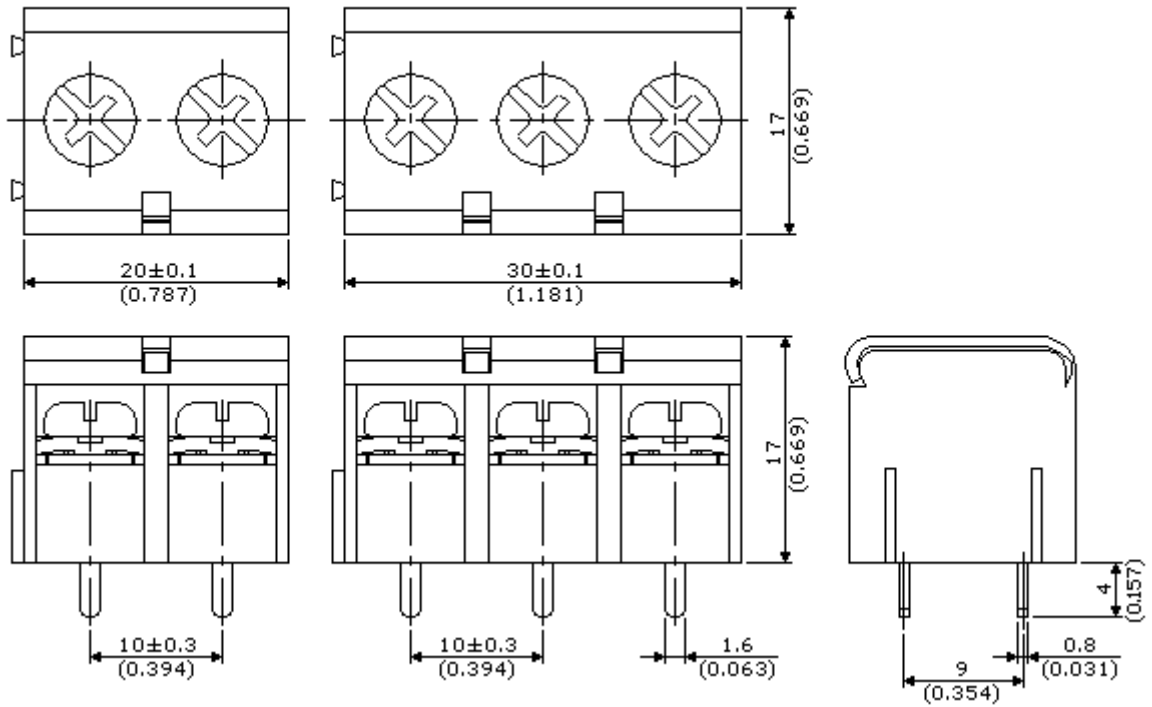
ETB5702403



ETB57 SERIES UNIT:mm(inch)

ETB5703402

ETB5703403



ETB57 SERIES UNIT:mm(inch)

ETB5704402

ETB5704403

